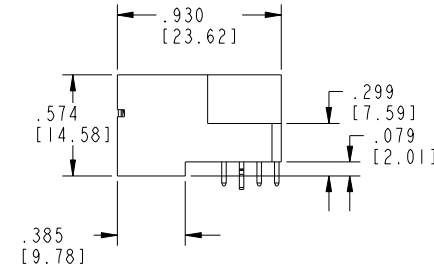
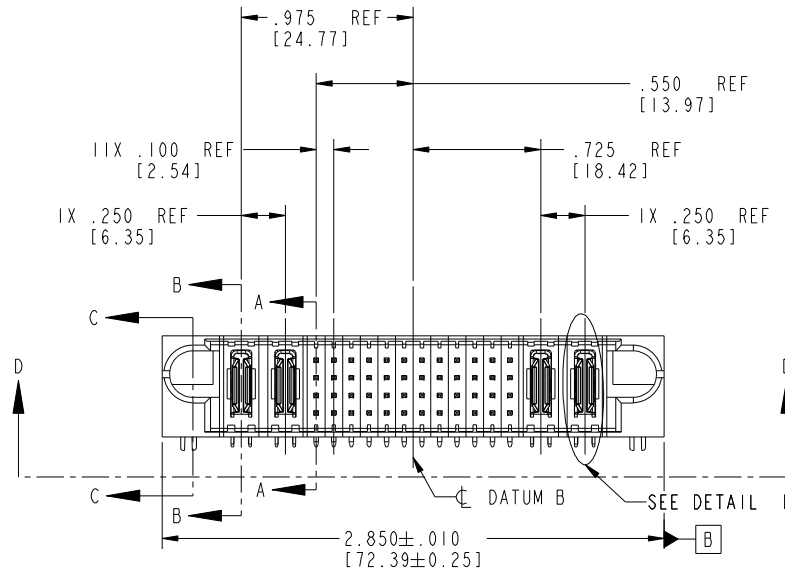


Tous droits strictement réservés. Reproduction ou communication à des tiers interdite sous quelque forme que ce soit sans autorisation écrite du propriétaire. Propriété de c.FCI. Droits de reproduction FCI.



All rights strictly reserved. Reproduction or issue to third parties in any form whatever is not permitted without written authority from the proprietor. Property of FCI. Copyright FCI.

PRODUCT NO.	ROWS	POWER		SIGNAL								POWER							
		E1	P1	P2	1	2	3	4	5	6	7	8	9	10	11	12	P3	P4	E2
51730-023 Note: (3)	D C B A				H	U	U	U	U	U	U	U	U	U	U	H			
			PA	PA	T	T	T	T	T	T	T	T	T	T	T	T	PA	PA	
			HA	HA	S	S	S	S	S	S	S	S	S	S	S	S	HA	HA	



CODE	DIM "M"	MATING LENGTH	CONTACT TYPE
E	.220	[5.59]	SIGNAL
H	.220	[5.59]	SIGNAL
PA	N/A	[N/A]	POWER
T	.270	[6.86]	SIGNAL
S	.270	[6.86]	SIGNAL
U	.270	[6.86]	SIGNAL
R	.270	[6.86]	SIGNAL
HA	N/A	[N/A]	HOLD-DOWN
H	.270	[6.86]	SIGNAL
E	.270	[6.86]	SIGNAL

mat'l code				SEE NOTE 2		tolerances unless otherwise specified		CUSTOMER		FCI		www.ficconnect.com	
ltr	ecn no.	dr	date	linear	.XX±.01/0.X±0.3		COPY		projection	title			2P + 48S + 2P RIGHT ANGLE SOLDER HEADER
A	V11116	CGD	3/26/01		.XXX±.005/0.XXX±0.13		INCH/MM			product family			
B	V20168	JWS	01-23-02	angles	.XXX±.002/0.XXX±0.051		scale		size			sheet	
C	DG04-0053	TAB	09/03/04		0°±2°		1:1		dwg no			1 of 4	
D	DG05-0112	GvoJM	05/18/05	dr	J. SHAFFER	01-23-02	product family		PwrBlade			code	
E	DG05-0397	CS	10/17/05	engr	M. MOSTOLLER	01-23-02	product family		PwrBlade			code	
F	DG05-0454	CS	11/11/05	chr	M. MOSTOLLER	01-23-02	product family		PwrBlade			code	
G	DG08-0253	SH	09/16/08	appd	M. MOSTOLLER	01-23-02	product family		PwrBlade			code	
sheet index	revision sheet	G	G	G	G	G	product family		PwrBlade			code	
		1	2	3	4		product family		PwrBlade			code	

cage code 22526

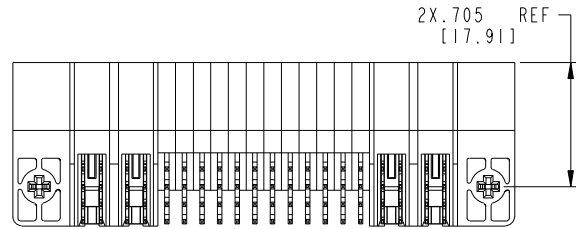
Pro/E

Tous droits strictement réservés. Reproduction ou communication à des tiers interdite sous quelque forme que ce soit sans autorisation écrite du propriétaire. Propriété de c FCI. Droits de reproduction FCI.

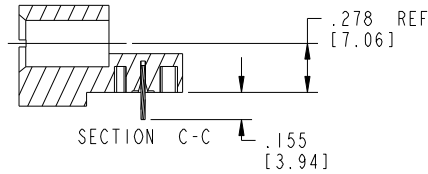


All rights strictly reserved. Reproduction or issue to third parties in any form whatever is not permitted without written authority from the proprietor. Property of FCI. Copyright FCI.

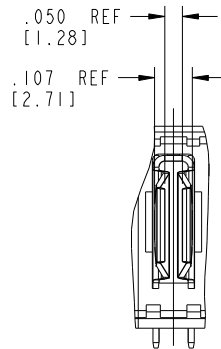
PRODUCT NUMBER  
51730-023--  
Note: ③



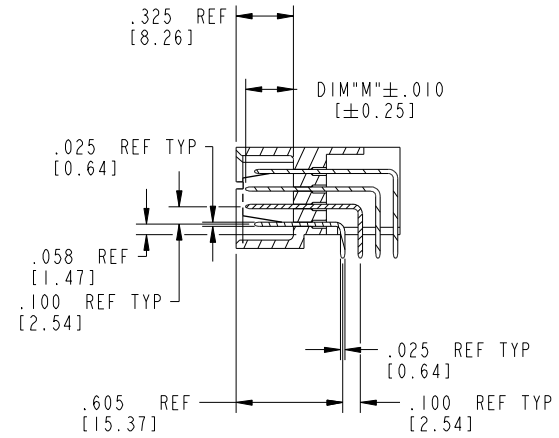
SECTION D-D



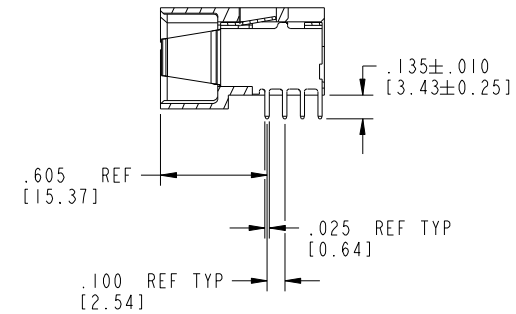
SECTION C-C



DETAIL F  
SCALE 2:1



SECTION A-A



SECTION B-B

mat'l code		SEE NOTE 2		tolerances unless otherwise specified		CUSTOMER		FCI		www.fciconnect.com	
ltr	ecn no.	dr	date	linear	.XX±.01/0.X±0.3	COPY				title	
6				linear	.XXX±.005/0.XX±0.13	projection				2P + 48S + 2P	
				angles	.XXX±.0020/0.XXX±0.051					RIGHT ANGLE SOLDER HEADER	
				dr	J. SHAFFER 01-23-02	scale		product family		code	
				enrg	M. MOSTOLLER 01-23-02	1:1		PwrBlade		213	
				chr	M. MOSTOLLER 01-23-02	A		size		sheet	
				appd	M. MOSTOLLER 01-23-02	51730-023		dwg no		2 of 4	
sheet index		revision sheet									

Pro/E

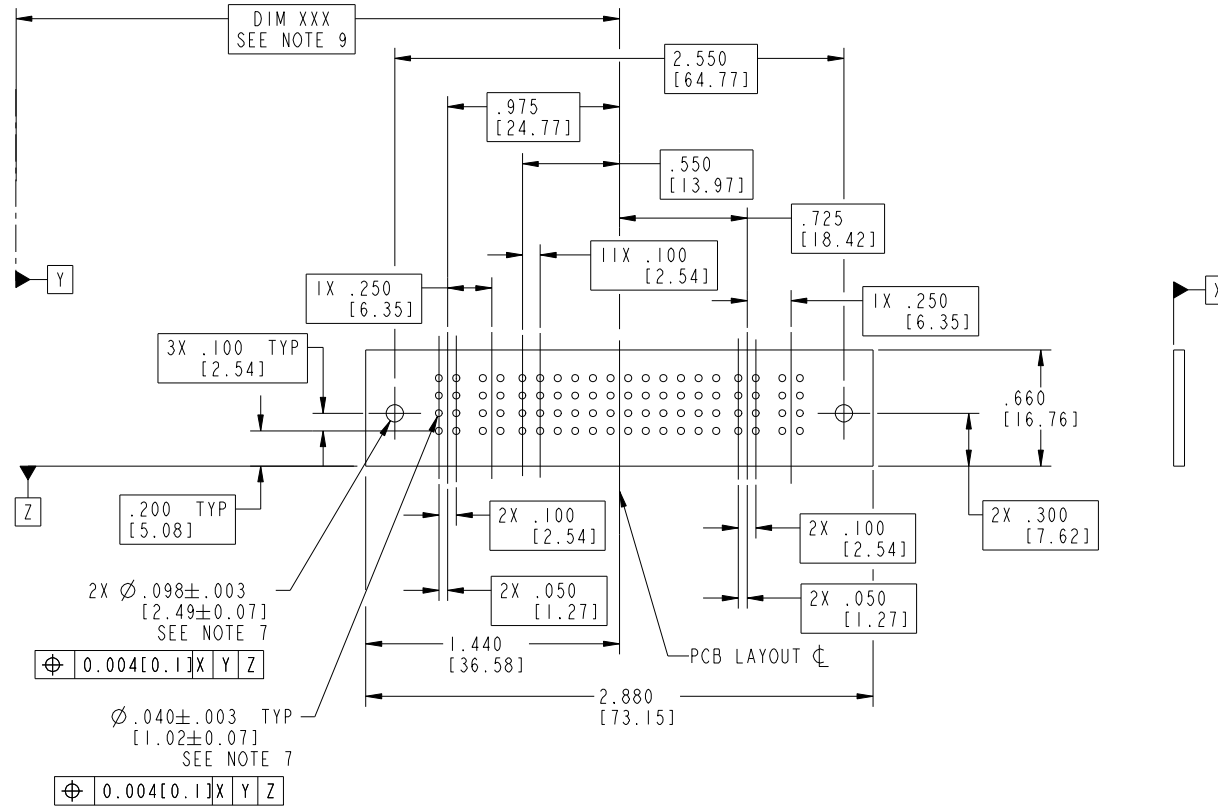
cage code 22526

Tous droits strictement réservés. Reproduction ou communication à des tiers interdite sous quelque forme que ce soit sans autorisation écrite du propriétaire. Propriété de c.FCI. Droits de reproduction FCI.



All rights strictly reserved. Reproduction or issue to third parties in any form whatever is not permitted without written authority from the proprietor. Property of FCI. Copyright FCI.

PRODUCT NUMBER  
51730-023--  
Note: ③



RECOMMENDED PCB LAYOUT

mat'l code				SEE NOTE 2		tolerances unless otherwise specified		CUSTOMER		FCI		www.fciconnect.com	
ltr	ecn no.	dr	date	linear	.XX±.01/0.X±0.3	projection	COPY		title				
6				angles	.XXX±.005/0.XX±0.13			2P + 48S + 2P					
				dr	.XXX±.0020/0.XXX±0.051	INCH/MM		RIGHT ANGLE SOLDER HEADER					
				enr	0°±2°	scale		product family		PwrBlade		code	
				chr	J. SHAFFER 01-23-02	1:1		size		dwg no		213	
				appd	M. MOSTOLLER 01-23-02			A		51730-023		sheet	
sheet index		revision sheet										3 of 4	

cage code 22526

Pro/E

Tous droits strictement reserves. Reproduction ou communication a des tiers interdite sous quelque forme que ce soit sans autorisation écrite du propriétaire. Propriete de c FCI. Droits de reproduction FCI.



All rights strictly reserved. Reproduction or issue to third parties in any form whatever is not permitted without written authority from the proprietor. Property of FCI. Copyright FCI.

PRODUCT NUMBER  
51730-023--  
Note: (3)

NOTES:

1. DIMENSIONS AND TOLERANCES ARE IN ACCORDANCE WITH ASME Y14.5M, 1994 UNLESS OTHERWISE SPECIFIED.

CONNECTORS NOTES:

2. HOUSING MATERIAL: UL 94 V-0 GLASS FILLED HIGH TEMP THERMO PLASTIC  
POWER CONTACT MATERIAL: COPPER ALLOY  
SIGNAL PIN MATERIAL: COPPER ALLOY

3. PLATING:

SEE ITEM 1 & 2 IN PRINT 10064183 FOR PLATING SPEC OF 51730-023 AND 51730-023LF RESPECTIVELY

4. "MANUFACTURER" NAME, P/N, AND DATE CODE TO APPEAR ON THIS SURFACE.

5. PRODUCT SPECIFICATION GS-12-149.

PCB - NOTES:

6. ALL HOLE DIAMETERS ARE FINISHED HOLE SIZE.

7. HOLD DOWN THROUGH HOLES ARE UNPLATED.

8.  $\varnothing .0453 \pm 0.0010$  [1.151  $\pm$  0.025] DRILLED HOLES PLATED WITH 0.0003 [0.008] MIN SnPb OVER .001 [0.03] TO .003 [0.08] Cu PLATING TO ACHIEVE  $\varnothing .040 \pm .003$  [1.02  $\pm$  .07] HOLE.

9. "DIM XXX" TO BE DETERMINED BY THE CUSTOMER.

10. A  $\triangle$  SYMBOL WILL BE NEXT TO ANY DIMENSION, VIEW, OR NOTE WHICH HAS BEEN MODIFIED WITH CURRENT DRAWING VERSION.

mat'l code		SEE NOTE 2		tolerances unless otherwise specified		CUSTOMER		FCI		www.fciconnect.com	
ltr	ecn no.	dr	date	linear	.XX±.01/0.X±0.3	COPY		projection			
G					.XXX±.005/0.XX±0.13	INCH/MM		title			
				angles	.XXX±.0020/0.XXX±0.051	1:1		2P + 48S + 2P			
				dr	0°±2°	scale		RIGHT ANGLE SOLDER HEADER			
				enr	J. SHAFFER 01-23-02	A		product family		PwrBlade	
				chr	M. MOSTOLLER 01-23-02	size		dwg no		code	
				appd	M. MOSTOLLER 01-23-02	A		51730-023		213	
sheet index		revision sheet								sheet	
										4 of 4	

1 | 2

3 |

4

1 | 2

Pro/E

3 |

cage code 22526

4